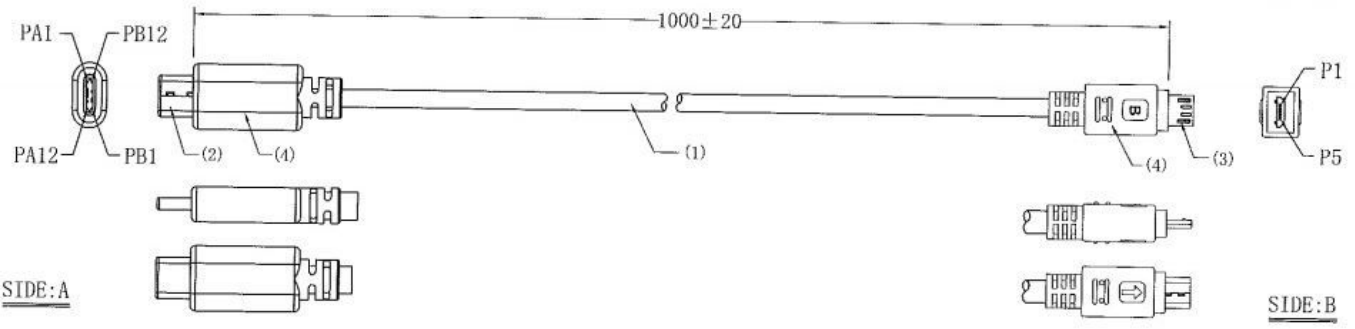
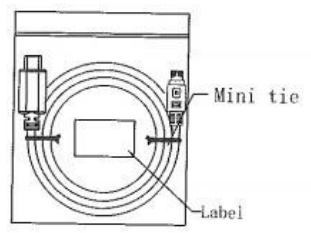
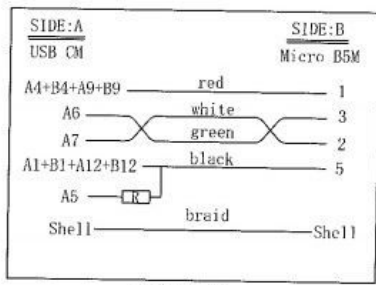


CUSTOMER	CUC
PRODUCT NO.	150301



- NOTE:**
- (1). Cable Spec: UL 2725 28AWG*1P+24AWG*2C+AL+D+48Braid/ALMG
Jacket Material:PVC OD:4.5±0.2mm
Colour: Black
Cable Printing: USB 2.0 CABLE FULLY RATED 80°C 30V
 - (2). Connector A: USB C MALE Solder type USB2.0 Compliant
Insulation:Black
Contacts:Gold Plated
Shell:Nickel Plated
 - (3). Connector B: Micro USB B MALE Solder type
Insulation:Black
Contacts:Gold Plated
Shell:Nickel Plated
 - (4). Over-Mold Colour: PVC-Black
 - (5). Parameter Settings:CT-8681FA
 - 1. Insulation Resistance:5MΩ (MIN).
 - 2. Conductive Resistance:3.0Ω (MAX).
 - (6). Packing: PEBAG Packing
 - (7). 100% electrical performance test



GENERAL TOLERANCES (UNLESS SPECIFIED)		UNIT:mm		REV:00	NAME		USB2.0 Cable Assembly (USB2.0 to Micro B5M Black)
LENGTH: X ± 1	.X ± 0.2	DRAWING XIAODENG	2015/6/19	S. P. NO.	HT-6511	DWG. NO.	
.XX ± 0.10	ANGLE: X° ± 1°	CHECK		P. O. NO.		PAGE	
.X° ± 0° 30'		APPROVE		SIZE		1/1	

00	NEW	2015/6/19
REV	DESCRIPTION	DATE